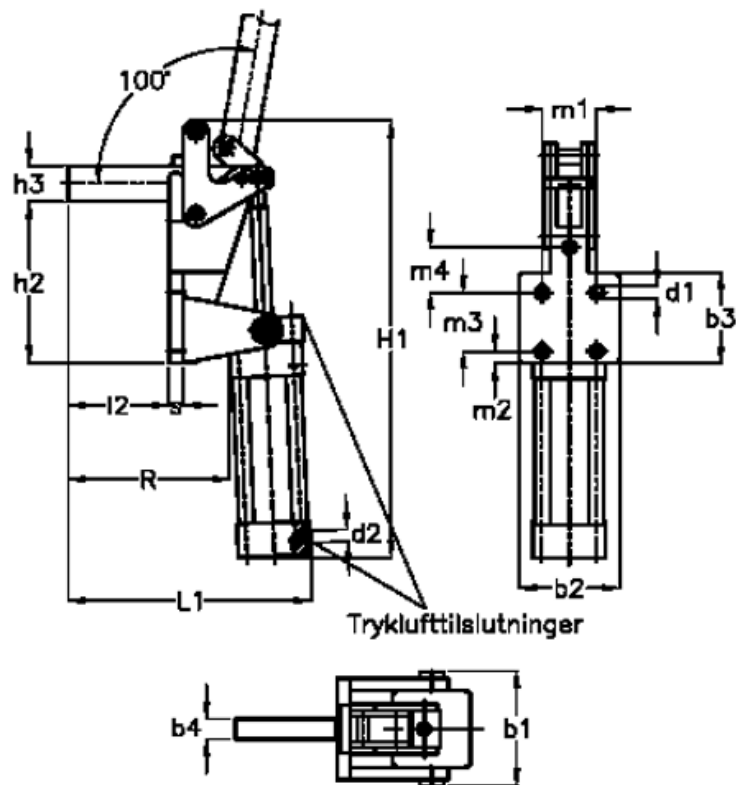


Article number: 201372117

Description: E+G Klee pneumatically operated clamp  
GN 863-1000-EPV-M with magnetic piston

## Measures



b1	= 102	h2	= 130	m3	= 50
b2	= 90	h3	= 25	m4	= -
b3	= 80	Holding force N	= 10000	r	= 144.0
b4	= 20	Hose connector	= 8	s	= 13
Clamping force at 4 bar	= 3400	l1	= 215.0	Size	= 1000
d1	= 10.5	l2	= 80		
d2	= G 1/4	m1	= 50		
h1	= 355	m2	= 15		